

## Qx

- High pressure, low noise industrial blowers
- Bi-directional rotation/horizontal and vertical airflow
- High efficiency at high pressure and vacuum
- 18 psi or 17" hg dry vacuum

<b>Flow</b>	<b>Speed</b>
3200: To 425 cfm at 5 psi	To 4800 rpm
4600: To 915 cfm at 5 psi	To 4000 rpm
6000: To 2030 cfm at 5 psi	To 3200 rpm

### Helical Gearing

Qx blowers utilize precision helical gears, keyed to the rotor shafts. Helical gears are quieter reducing mechanical noise.

### Stronger Bearings

All Qx blowers include double ball bearings on the timing gear end. For additional strength single roller bearings are used on the drive shaft end of the machine. Featuring the largest bearings available, Qx blowers have L10 bearing life of up to 200,000 hours.

### Rotors with Integral Shafts

Tri-lobe rotor offers reduced pulsation and lower noise levels. Shafts are integral to the rotors, which prevents loosening over time.

### Performance Tables -

#### Pressure (14.70 PSIA and 70° F Inlet)

In conjunction with our program of continuous testing and design upgrading, all specifications are subject to change without notice. All data are

BLOWER MODEL	SPEED (RPM)	8 PSIG		10 PSIG		12 PSIG		15 PSIG		18 PSIG		10 in Hg		12 in Hg		14 in Hg		16 in Hg	
		CFM	BHP	CFM	BHP	CFM	BHP	CFM	BHP	CFM	BHP	CFM	BHP	CFM	BHP	CFM	BHP	CFM	BHP
3203	1150	17	2.2	37	3.9	34	4.5					42	2.4	38	2.7				
	1750	41	3.3																
	2950	88	5.6	85	6.6	82	7.7	78	9.2	74	10.7	90	4	85	4.5	81	5		
	3600	114	6.9	111	8.3	108	9.4	104	11.3	100	13.1	116	4.9	112	5.5	107	6.1	102	6.7
	4800	162	9.3	158	10.9	155	12.6	151	15.1	147	17.6	164	6.5	160	7.3	155	8.12	150	8.9
3208	1150	45	4.6	36	5.6							47	3						
	1750	105	7.0	96	8.5	89	10.1					108	4.6	97	5.4	86	6.1		
	2950	225	11.8	217	14.4	209	17.0	199	20.8	190	24.7	228	7.8	217	9.1	206	10.3	193	11.6
	3600	290	14.5	282	17.6	274	20.8	264	25.4	255	30.2	293	9.5	283	11.1	271	12.6	258	14.2
	4800	410	19.5	402	23.7	394	27.9	384	34.2	375	40.4	413	12.7	403	14.8	391	16.8	379	18.9
4606	1150	118	6.7	111	8.1	106	9.6	98	11.8			120	4.4	112	5.1	103	5.8		
	1750	206	10.2	200	12.4	194	14.7	187	18.0			208	6.6	200	7.7	192	8.9	182	10
	2950	383	17.3	377	21.1	372	24.9	364	30.6	357	36.3	385	11.2	378	13.1	369	14.9	360	16.8
	3600	479	21.2	473	25.9	467	30.5	460	37.5	453	44.4	481	13.7	474	15.9	465	18.2	456	20.5
	4000	538	23.7	532	28.9	527	34.0	519	41.7	512	49.5	540	15.2	533	17.7	524	20.2	515	22.8
4610	1150	192	10.6	181	13.1	171	15.5	158	19.2			195	6.8	182	8	167	9.2		
	1750	339	16.2	329	19.9	319	23.7	306	29.3			343	10.3	329	12.2	315	14	298	15.9
	2950	635	27.4	624	33.7	614	40.0	601	49.5	589	59.0	638	17.4	625	20.5	610	23.6	593	26.7
	3600	795	33.6	784	41.3	774	49.0	761	60.6	749	72.2	798	21.2	785	25	770	28.8	753	32.6
	4000	893	37.4	882	46.0	872	54.6	859	67.4	847	80.3	897	23.6	883	27.8	868	32	852	36.24
6009	1150	314	15.7	302	19.3	291	22.9	276	28.4			318	10.1	303	11.8	286	13.6		
	1750	531	23.9	519	29.4	508	34.9	493	43.2	480	51.5	535	15.3	520	18.0	503	20.7	484	23.5
	2950	965	40.4	953	49.7	942	59.0	927	73.0	914	87.0	969	25.8	954	30.4	937	35.0	919	39.5
	3200	1055	49.5	1043	60.8	1032	72.2	1018	89.2	1004	106.3	1059	31.5	1044	37.1	1028	42.7	1009	48.2
6015	1150	523	25.4	503	31.4	485	37.5	460	46.6			530	16.0	504	19.0	477	21.9		
	1750	885	38.8	865	48.0	846	57.2	822	71.0	799	84.8	891	24.4	866	28.9	838	33.4	807	37.9
	2950	1608	66.1	1588	81.6	1570	97.1	1545	120.4	1523	143.7	1615	41.1	1590	48.7	1562	56.3	1531	63.9
	3200	1759	81.4	1739	100.3	1721	119.3	1696	147.7	1674	176.1	1766	50.1	1740	59.4	1713	68.7	1682	78.0



### Lubrication

Qx blowers have oil lubrication on both ends with easy to view sight glasses allowing quick maintenance.

### Seals

Qx blowers are fitted as standard with piston ring labyrinth process/oil seals. Piston ring seals provide high efficiency, long life and reliability.

The oil chamber is vented to atmosphere providing oil-free air.

### Material Specifications:

**Housing:** Cast iron

**End Plates:** Cast iron

**End Cover:** Cast iron

**Rotors:** Ductile iron

**Shafts:** Ductile iron, cast integrally with rotors

**Bearings:** GE - Double row angular contact

FE - Single row cylindrical

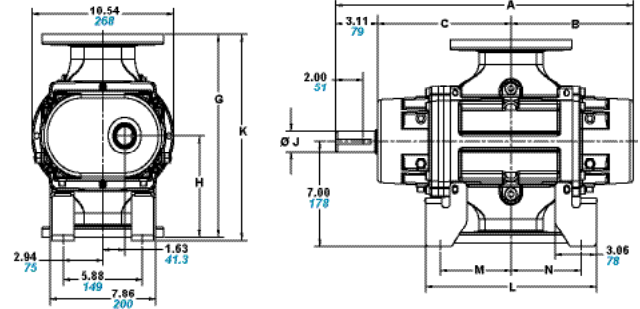
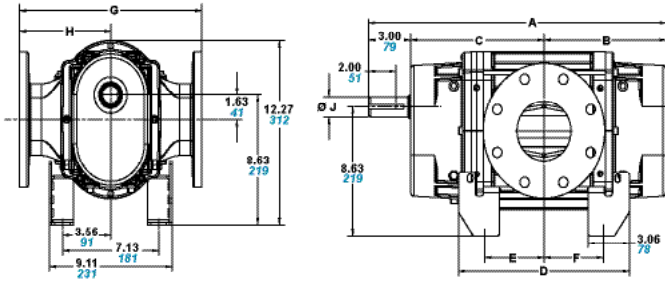
**Gears:** Heat treated alloy steel, helical cut

**Seals:** Piston ring lip

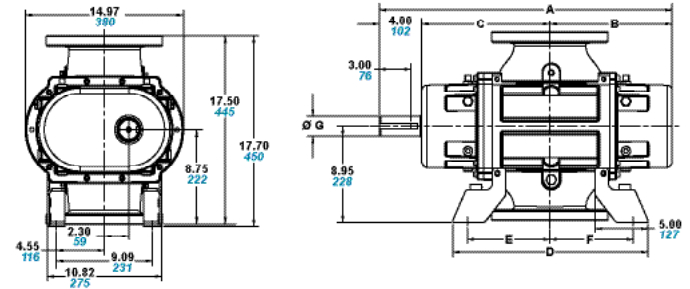
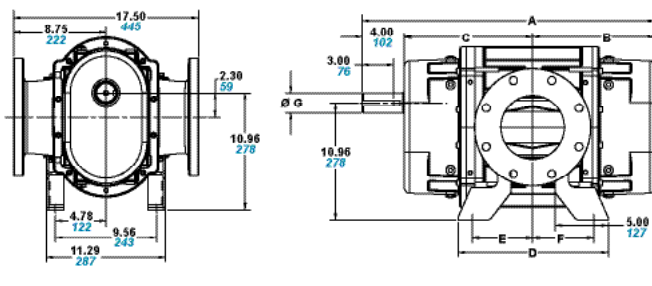
**Dimensions:** All dimensions are shown in inches and millimeters. Values are approximate and should not be used for construction. Certified prints are available through your local Tuthill Vacuum Blower Systems Sales Professional.

**Horizontal Flow**

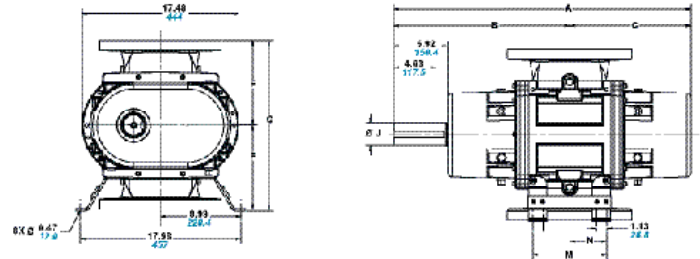
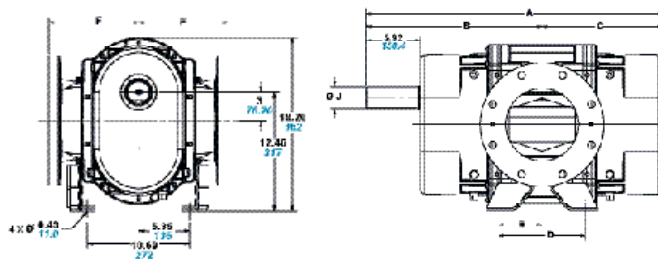
**Vertical Flow**



MODEL	A	B	C	D	E	F	G	H	J	K	L	M	N	KEYWAY	FLANGE	WEIGHT* LB / KG	
3203	17.12 435	6.59 167	7.42 188	7.75 197	1.95 50	1.94 49	11.54 293	5.77 146	1.38 35	12.77 324	7.73 197	2.75 70	2.73 70	.313 7.94	SQUARE	ANSI 2", CLASS 150	130 / 59
3208	22.06 560	9.06 230	9.89 251	12.69 322	4.42 112	4.40 112	13.54 344	6.77 172	1.38 35	13.77 350	12.67 322	5.21 132	5.20 132	.313 7.94	SQUARE	ANSI 4", CLASS 150	225 / 102



MODEL	A	B	C	D	E	F	G	KEYWAY	FLANGE	WEIGHT* LB / KG	
4606	23.70 602	9.56 243	10.13 258	14.46 368	5.81 148	5.90 150	1.88 48	.500 12.70	SQUARE	ANSI 4", CLASS 150	420 / 190
4610	27.70 704	11.56 294	12.13 308	18.46 469	7.81 199	7.90 201	1.88 48	.500 12.70	SQUARE	ANSI 6", CLASS 150	475 / 215



MODEL	A	B	C	D	E	F	G	J	M	N	KEYWAY	FLANGE	WEIGHT* LB / KG	
6009	32.51 826	19.18 487	13.32 338	9.47 241	4.73 120	9.38 238	18.94 481	2.38 60	8.10 206	4.05 103	.625 15.88	SQUARE	ANSI 8", CLASS 150	680 / 308
6015	38.51 978	22.18 563	16.32 415	15.47 393	7.74 197	9.38 238	18.94 481	2.38 60	14.10 358	7.05 179	.625 15.88	SQUARE	ANSI 8", CLASS 150	850 / 386

\*Approximate shipping weight.

Your Local Tuthill Vacuum Blower Systems Sales Professional:



Tuthill Vacuum & Blower Systems  
 4840 West Kearney Street  
 Springfield, Missouri USA 65803-8702  
 o 417.865.8715 800.825.6937 f 417.865.2950  
 tuthillvacuumblower.com

