

# Vacuum Boosters

Models 4000, 6500, 7900, 8000, 10000

Bi-directional Rotation

Series Options:

- Vertical Flow, Mechanical Seals, Integral Pressure Lubrication
- Horizontal Flow, Mechanical Seals, Integral Pressure Lubrication
- Vertical Flow, Slinger Seals, Integral Pressure Lubrication
- Horizontal Flow, Slinger Seals, Integral Pressure Lubrication

Vacuum boosters are used to “supercharge” vacuum pumps to greatly extend pump performance. This allows for much faster pumping speeds and deeper vacuum levels. M-D Pneumatics vacuum boosters from Tuthill Vacuum & Blower Systems are utilized worldwide in the manufacture of chemicals, petrochemicals, plastics, semiconductors and wood composites as well as food processing, vacuum furnace applications and many other general applications in industry.

### Mechanical Seals, Integral Pressure Lubrication

These series incorporate mechanical seals on the rotor shafts and the drive shaft, flanged port fittings, water cooled drive shaft seal, and integral pressure lubrication system with water cooled heat exchanger.

### Slinger Seals, Integral Pressure Lubrication

These series utilize a mechanical drive shaft seal in conjunction with a non-contacting, non-wearing slinger seal on the rotor shafts, flanged port fittings, water cooled drive shaft seal, and integral pressure lubrication system with water cooled heat exchanger. Cooling coils are not included.

### Optional Materials and Coatings Available

Standard construction materials include cast iron housing, end plates and port fittings with ductile iron rotors and shafts. In addition to standard construction, the following materials are available:

#### Special Materials

- Ductile Iron
- Carbon Steel\*
- Stainless Steel\*

\*4000, 6500 only

#### Special Coatings

- Bi-Protec® (Nickel/Armoly®)

### Low Mechanical Noise

Every M-D Pneumatics vacuum booster is designed to operate at 82 dB(A) or less at blank-off (open field; motor and background noise excluded).



### Metric Availability

All M-D Pneumatics vacuum boosters are available with metric drive shaft and process connections.

### Material Specifications:

- Housing:** Cast iron
- End Plates:** Cast iron
- End Covers:** Cast iron
- Rotors:** Ductile iron
- Shafts:** Ductile iron cast integrally with rotors
- Drive Shaft:** SAE 4140 forged alloy steel
- Bearings:** Gear end - Double row ball, both rotors  
Back end - Double row ball
- Drive Shaft:** Spherical roller
- Gears:** Heat-treated alloy steel, helical cut and precision ground
- Seals:** Drive shaft - Mechanical  
Rotor shafts - Mechanical or Non-contacting slinger
- Lubrication:** Integral pressure lube standard

MODEL	Net Wgt. (lbs.)*
4000	4200
6500	4900
7900	5400

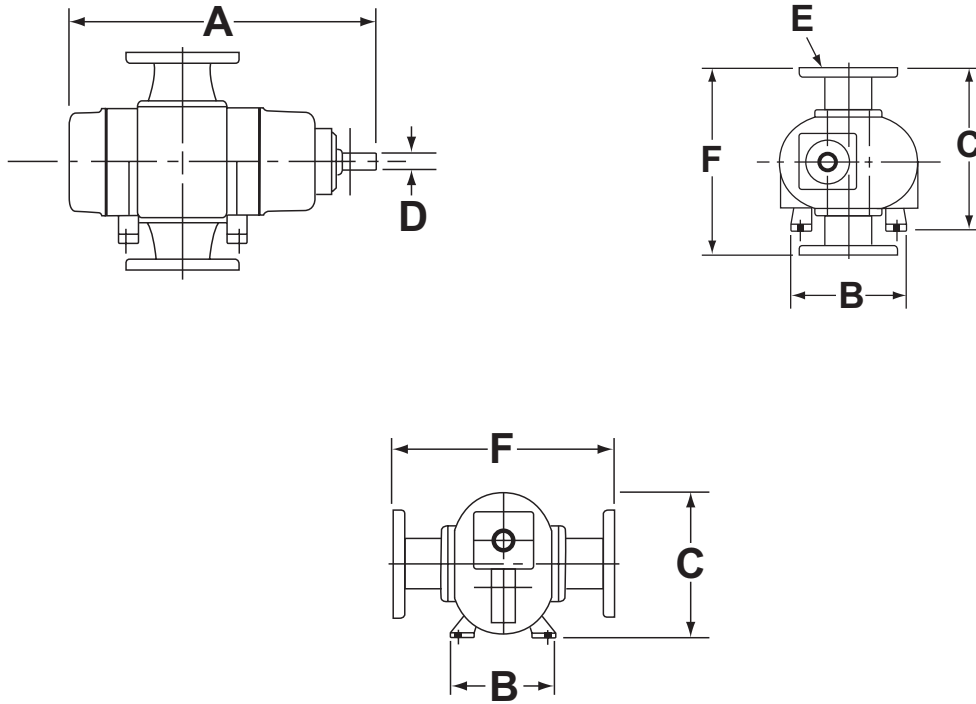
MODEL	Net Wgt. (lbs.)*
8000	5900
10000	6850

\*Approximate shipping weight.

## Dimensions

Values shown are approximate and should not be used for construction.

Certified drawings are available through your local Tuthill Vacuum & Blower Systems Sales Professional.



MODEL	SERIES	DISPL. CFM	A	B	C	D Ø	E	F
4000	V	890-4000	65.75	33.75	29.31	3.500	12" FLG	26.00
	H			20.38	40.50			
6500	V	1400-6400	74.75	33.75	29.31	3.500	14" FLG	26.00
	H			20.38	40.50			
7900	V	1800-8000	80.75	33.75	29.31	3.500	14" FLG	26.00
	H			20.38	40.50			
8000	V	2100-9500	86.75	33.75	29.31	3.500	18" FLG	26.00
	H			20.38	40.50			
10000	V	2800-10000	98.75	33.75	29.31	3.500	20" FLG	26.00
	H			20.38	40.50			

Your Local Tuthill Vacuum Blower Systems Sales Professional:



**Tuthill Vacuum & Blower Systems**  
 4840 West Kearney Street  
 Springfield, Missouri USA 65803-8702  
 o 417.865.8715 800.825.6937 f 417.865.2950  
[tuthillvacuumblower.com](http://tuthillvacuumblower.com)



TH-101 10/16