

Models

A200 A300

Features

- No contact between operating components in the casing
- Flat power curve over entire vacuum range prevents motor overload
- Reduced stress on motor shaft and bearings
- Increased water handling capability prevents heat build-up, extends life of mechanical seals
- Compact, close-coupled design eliminates need for inter-stage manifold or motor alignment
- Shrouded rotor increases pumping efficiency for high vacuum and low water consumption
- Fast delivery on standard materials and local support



Materials of Construction

Casing, Cover, Rotor, Port Cylinder:

Cast Iron

Mechanical Seals:

BUNA — Optional

Viton™ — Cast Iron Bronze Fitted, All Bronze, Stainless Steel

EPR — Optional

Kalrez™ — Optional

Drive Options:

Pedestal Frame

Close-coupled motor

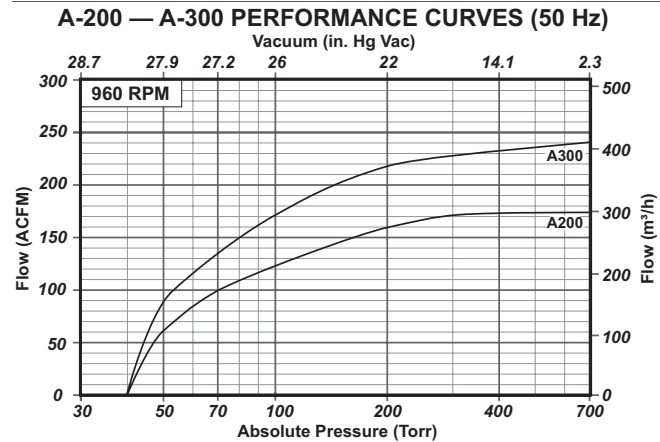
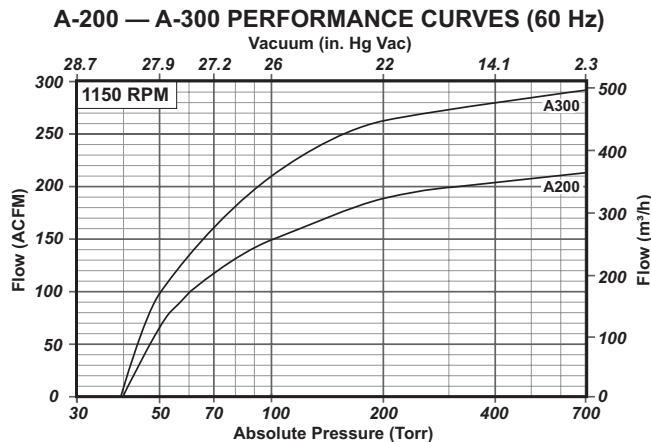
Stocked Motors:

TEFC – 3Ø

Optional Motors:

XP Class I, GpD – 3Ø — Optional

Typical Pumping Speed Curves

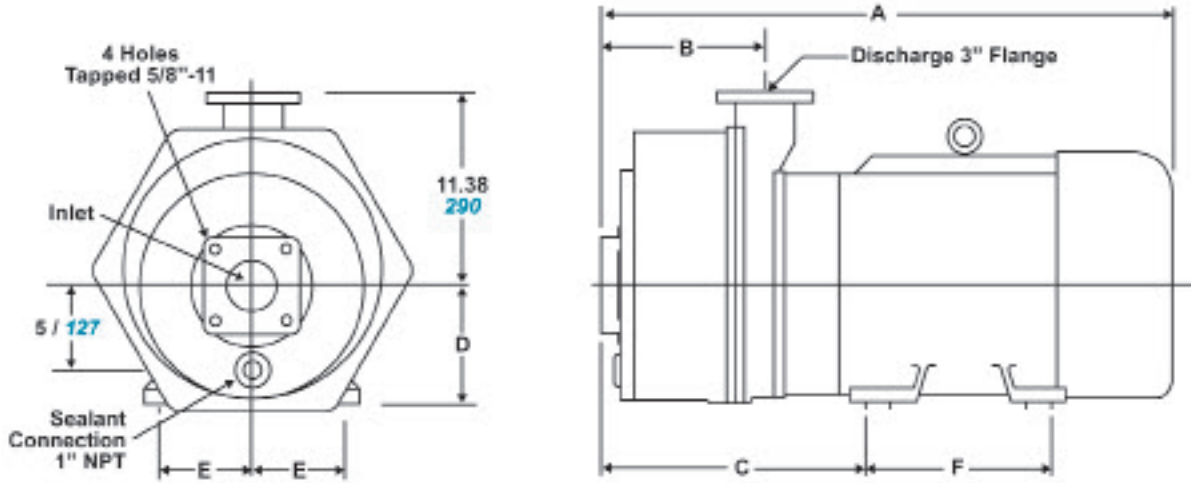


Performance curves are based on dry air at 68°F (20°C), 60°F (15°C) seal water, and 29.92 inches of mercury (760 torr) barometric pressure.

Dimensions

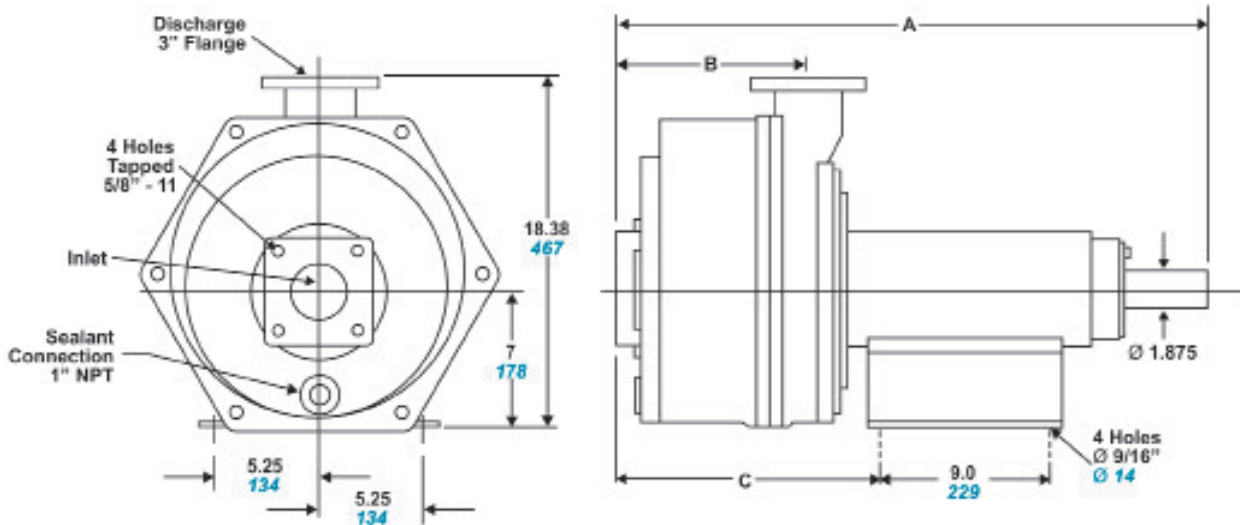
Values shown are approximate and should not be used for construction.
 Certified drawings are available through your local Tuthill Vacuum & Blower Systems Sales Professional.

Close-coupled Design



MODEL	FRAME	INLET	inches/mm						MOTOR HP	Weight (lbs./kg)
			A	B	C	D	E	F		
A200	284TYZ	3" Flange	32.4 / 823	8.3 / 211	14.2 / 361	7.0 / 178	5.50 / 140	11.0 / 279	15	560 / 254
A300	284TYZ	3" Flange	33.7 / 856	9.7 / 246	15.6 / 396	7.0 / 178	5.50 / 140	11.0 / 279	20	600 / 272

Pedestal Mount Design



MODEL	INLET	inches/mm			Weight (lbs./kg)
		A	B	C	
A200	3" Flange	28.81 / 732	8.31 / 211	11.88 / 302	250 / 114
A300	3" Flange	30.19 / 767	9.69 / 246	13.25 / 337	325 / 148

Your Local Tuthill Vacuum Blower Systems Sales Professional:



Tuthill Vacuum & Blower Systems
 4840 West Kearney Street
 Springfield, Missouri USA 65803-8702
 o 417.865.8715 800.825.6937 f 417.865.2950
tuthillvacuumblower.com

